



PROJECT NO. 50207755

DATE 9/3/2015

Quoted To: American Panel
Attn:

Project location:
Quoted by: Donnie Rupp
Phone 770-465-5600 - Fax 800-770-4450
E-mail donnie.rupp@heatcrafterpd.com
Quote Validity date 60 Days.
cc:

PROJECT SPECIFICATIONS

WATER COOLED CONDENSING UNIT

Model: WS3000M6*AP

R-404A Indoor one (1) compressor water cooled condensing unit 208-230/3/60 - 460/3/60
Compressor mounted on top of condenser like standard WS units.

Compressors

One (1) 4GE-30-2NU compressor @ 15°F SST / + 85°F EWT / 219,480 BTUH
One (1) 4GE-30-2NU compressor @ -40°F SST / + 85°F EWT / 46,480 BTUH
Compressor is a Bitzer semi-hermetic reciprocating compressor w/service valves, encapsulated high pressure control, adjustable low pressure control, oil safety control, suction/discharge vibration eliminators, and crankcase heater.

Water cooled condenser

Horizontal water cooled condenser w/ pressure relief system
205 lbs Nominal pumpdown capacity
85° F EWT / 47.1 GPM / 1.1 psid / 15° F SST
85° F EWT / 8.7 GPM / 0.1 psid / -40° F SST

Liquid / Suction Groups

Liquid line w/replaceable core filter/drier and sight glass.
Replaceable core suction filter
Suction accumulator
One (1) suction and liquid stub out.

Mounted valves & controls

One (1) adjustable low pressure control.
Braided stainless steel superhose for control lines.
Water regulating valve.

Oil System



PROJECT NO. 50207755

DATE 9/3/2015

Quoted To: American Panel
Attn:

Project location:
Quoted by: Donnie Rupp
Phone 770-465-5600 - Fax 800-770-4450
E-mail donnie.rupp@heatcrafterpd.com
Quote Validity date 60 Days.
cc:

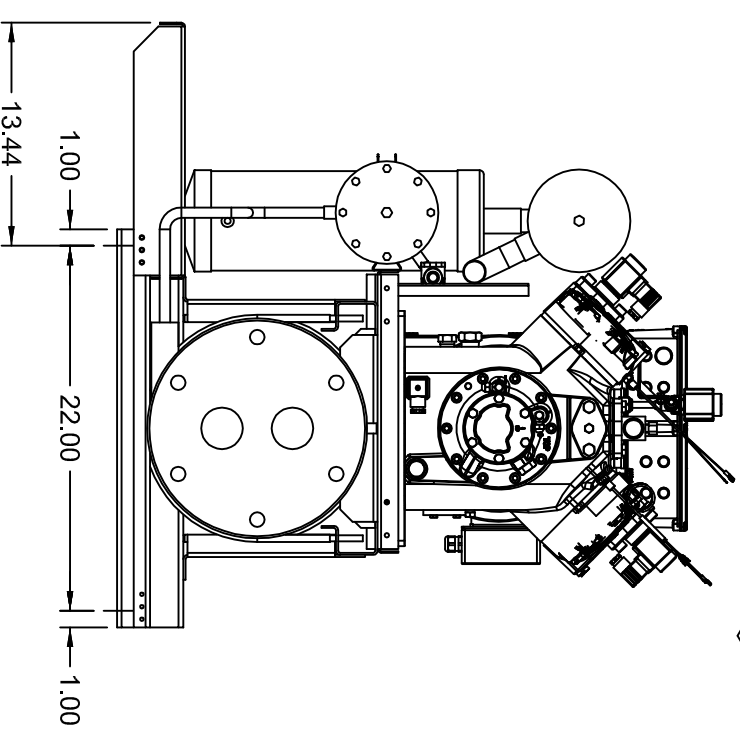
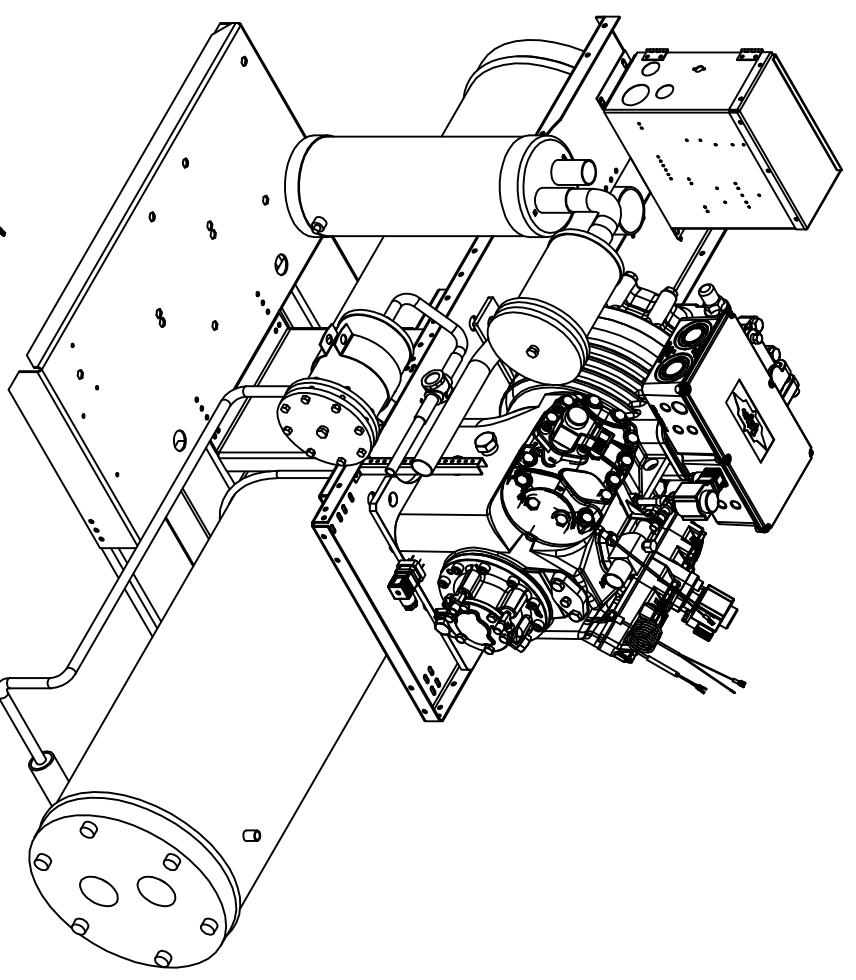
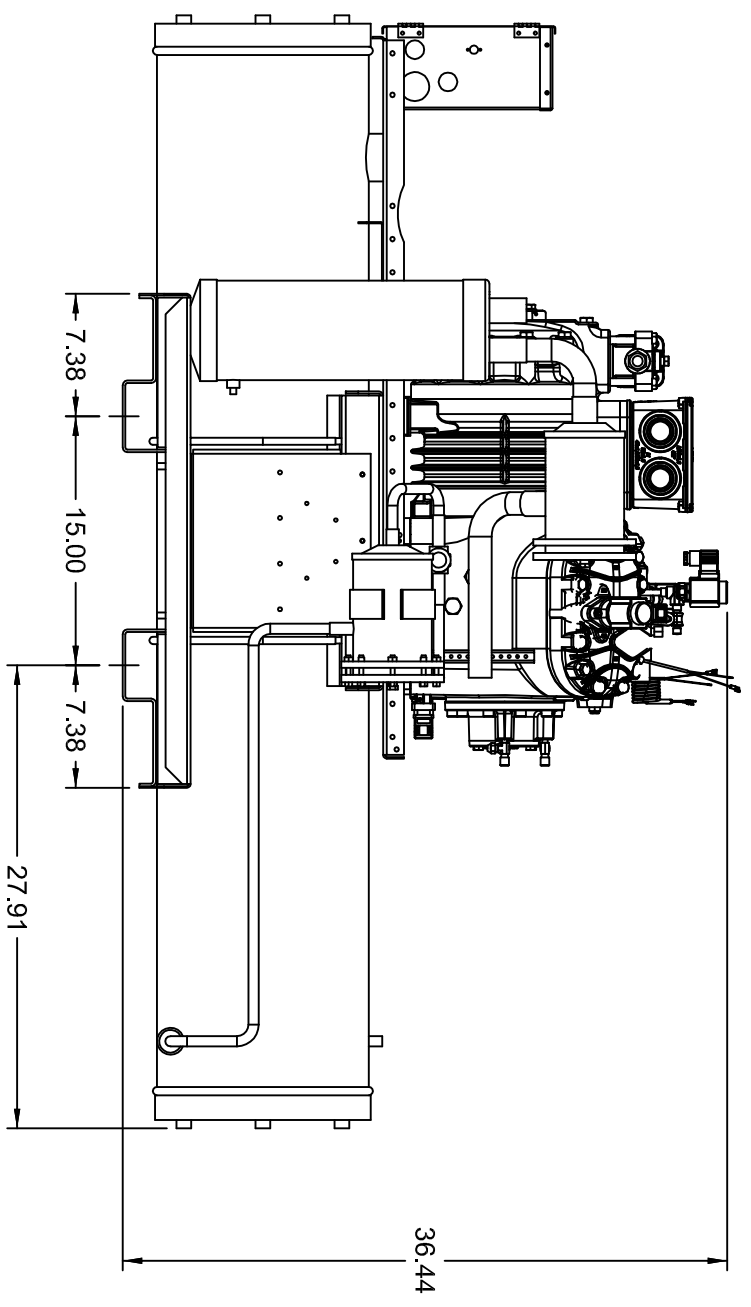
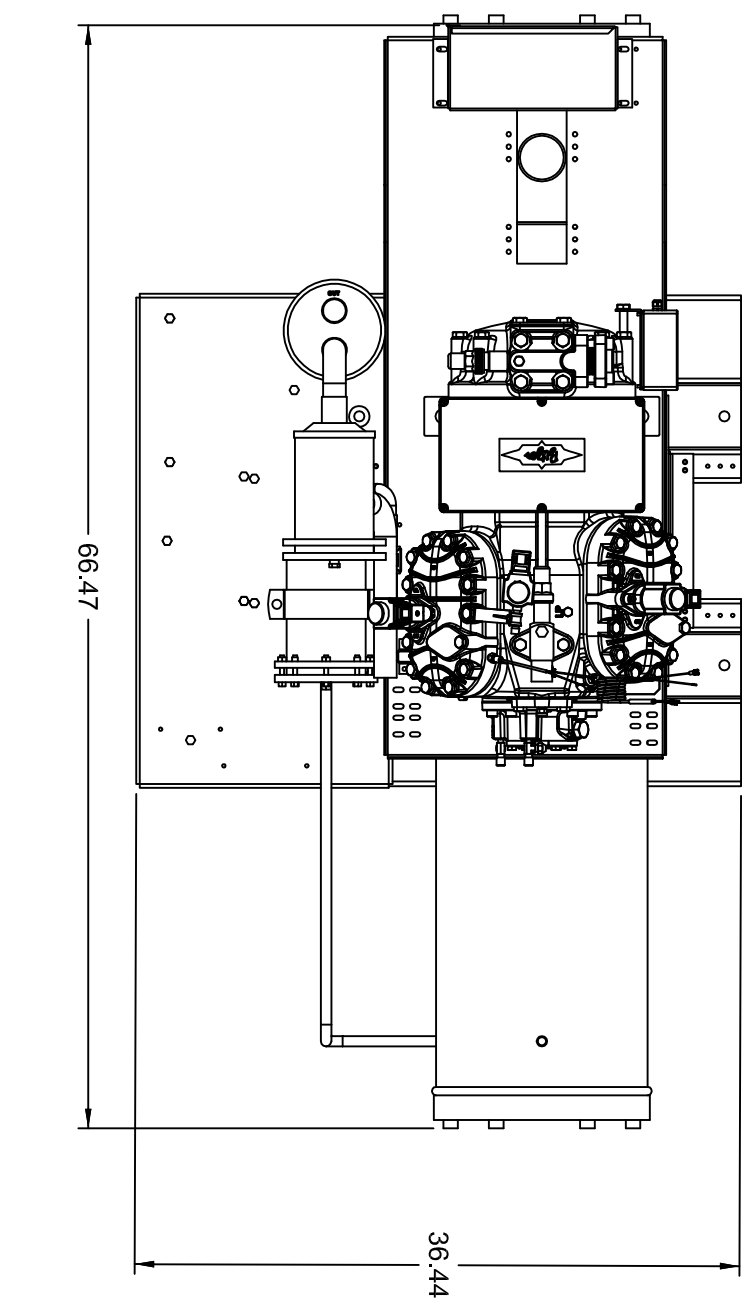
PROJECT SPECIFICATIONS

Electrical Panel

Nema 4 Control Panel for 460/3/60 or 230/3/60
ETL Listed electrical enclosure
Electrical distribution block
Phase monitor
Control circuit transformer
230/1/60 control circuit
Compressor motor contactor
Non fused disconnect
Misc. fuses, relays, switches, & terminal strips

Approximate Dimension : 65" L x 37" W x 43" H
Approximate Weight: 755 lbs.

REV	ECN NO.	DATE	BY	DESCRIPTION



UNIT SPECIFICATIONS

MODEL	LIQUID CONNECTIONS (CDS)	SUCTION (CDS)	WATER FTG (RPT)	REFRIG. TYPE	APPL. RANGE F ₁ -F ₂	SHIPPING W/T (LBS) APPROX.	PUMPDOWN CAPACITY (LBS) 50%
WS3000M6AP	1-1/8"	2-1/8"	2-1/2"	R-404A/507	-40/+15	755	205

ELECTRICAL CHARACTERISTICS

COMPRESSOR MODEL NO.	POWER SUPPLY	COMPRESSOR RLA	COMPRESSOR LRA	UNIT MCA	UNIT MOPD
4GE-30-2NU	208-230V/3Ø/60HZ	99.2	490	124	200
4GE-30-2NU	460V/3Ø/60HZ	44.9	245	56.1	100

REFRIGERATION PRODUCTS LLC
 STONE MOUNTAIN, GEORGIA
 U.S.A.

UNIT SUBMITTAL
 WATER COOLED

DRAWN	DATE	TITLE	PART NO.	DWG. NO.	REV.
TLD	9/15/2015	UNIT SUBMITTAL		WS3000M6AP	
APPROVED	DATE				
JEH	9/15/2015				
SHT. 1	OF 1				

WIRE AND CONDUIT		FINNED LENGTH		CUT SIZE	
WIRE CUT SIZE:	+.50/-00	0 TO 24	±.06	HOLE DIAMETER:	±.03
CONDUIT CUT SIZE (NOT UNDER TENSION)	+.38/-00	24 TO 75	±.13	ENDPLATE TUBE HOLE	±.005
12 TO 36	+.75/-00	OVER 75	±.19	C/L OF HOLES	±.001
OVER 36		CONNECTIONS:	±.13	ANGLES	±.02
		FIN QTY:	±.13	FORMED DIMENSIONS	±.2°
		BOW (ANY DIRECTION)	±.13	0 TO 36	±.03
		12 TO 36	±.19	36 TO 120	±.06
		36 TO 96	±.25	OVER 120	±.13

TOLERANCES (UNLESS OTHERWISE SPECIFIED)		TUBING	
0 TO 24	±.06	1 TO 36	±.03
24 TO 75	±.13	OVER 36	±.13
OVER 75	±.19	ANGLES:	±.5°
CONNECTIONS:	±.13	TOLERANCE BLOCK	
FIN QTY:	±.13	ISSUED	02/25/94
BOW (ANY DIRECTION)	±.13	REV.	A
12 TO 36	±.19		
36 TO 96	±.25		

THIS DOCUMENT CONTAINS MATERIAL AND/OR INFORMATION WHICH IS THE PROPERTY OF HEATCRAFT INC. AND IS SUPPLIED ONLY ON A PROPRIETY BASIS. NO TRANSMITTAL SHALL BE MADE TO ANY PERSON, FIRM, OR CORPORATION WITHOUT PRIOR WRITTEN APPROVAL.